



**Model:- Yukti 310**

**Wet Grinder Machine**







# Multifunctional crusher



# Multi-function milling machine

make for milk/butter/flour

All major mill, stainless steel mill, imported bearings, strong power, low noise operation, low energy consumption, high yield and excellent performance, experience.



Rice milk

RIVER PUMPING



Soybean milk

AQUACULTURE WATER STORAGE



Corn flour

AQUACULTURE WATER STORAGE



Sesame butter

RIVER PUMPING



Peanut butter

AQUACULTURE WATER STORAGE



mung bean butter

AQUACULTURE WATER STORAGE





# Details







**Soybeans**



**Crystal Sugar**



**Corn**



**Cinnamon**



**Anise**



**Pepper**



**Multiflorum**



**Pearl**



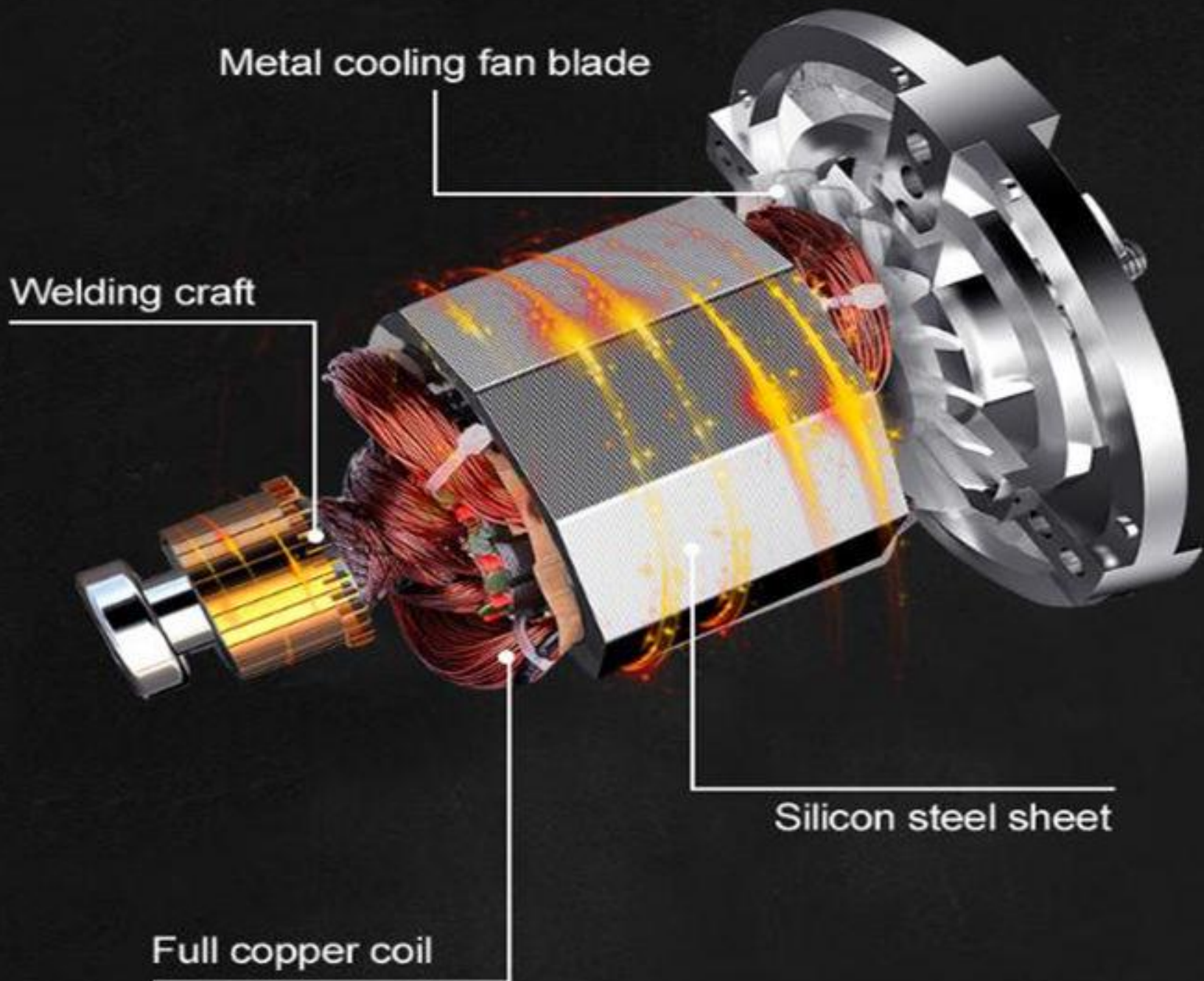
**Coffee**



# You Can Make Ginger Fruit Garlic Gravy Idle Dosa Paste



# Real stuff big motor





# Cooper coil

200 ° high temperature resistance

200°C



# Multifunctional crusher







# HIGH QUALITY PARTS

*care about your healthy*



**STAINLESS**  
SS304 high quality



**IRON CAST MOTOR**  
good protect



**FULLY COPPER**  
100% copper











## Technical Details

**Model:-** Yukti 310. **Machine Type :-** Wet Grinder Machine. **Dimension:-** 74\*32\*34CM. **Voltage:-** 220v 50 Hz. **Power:-** 0.75kw. **Material:-** Aluminum /Iron Head. **Feeding Size:-** 1-20mm. **Output Size Mesh:-** 90-100 Mesh. **Weight:-** 25 Kg. **Color:-** Black Or Blue. **Range Of Spindle Speed (R.P.M): :-** 1400 R.P.M. **Capacity Output:-** 20-40kg/H. **Shipping:-** All India Free. **Warranty:-** One Year. **Service:-** Online.

**Price:- 32000 INR + 18% GST Tax 5,760 INR Total Payable 37,760 INR**

***BUY NOW***

**Read More This Product Visit Below Link:-**

<https://www.topsell.in/mobile-usb-data-cable-making-machine-price.php>

इस प्रॉडक्ट अधिक जानकारी के लीये नीचे के लिंक को विजिट करे

<https://www.topsell.in/mobile-usb-data-cable-making-machine-price.php>



Quick Support





# YUKTIRAJ PVT LTD

## ISO Certified Indian Company



Yuktiraj Pvt Ltd Is Will Continue With Technical Force, High Quality Product Performance, Reasonable Price, Thoughtful & Efficient Service. Our Company Stresses On The Experience Accumulation And Technology Research. 365 Days Full Support. Honest And Trustable Company. Responsive Staff. We Keep Trust On Quality And Customer Satisfactions. We are India's leading manufacture and import export company.



# YUKTIRAJ PVT LTD

## ISO Certified Indian Company

**SEND AN INQUIRY**



\*\*\* Company Address \*\*\*

Yuktiraj Pvt. Ltd,

Raje Shambhaji Nagar Kinhi Road Bypass Karanja Lad

District: Washim State: Maharashtra Pin: 444105

*Thank you always with you*

Terms And Conditions :- <https://www.topsell.in/tc>



**WhatsApp 9588688034**

**www.**

**[www.topsell.in](http://www.topsell.in)**