

Model:- Yukti 252-58

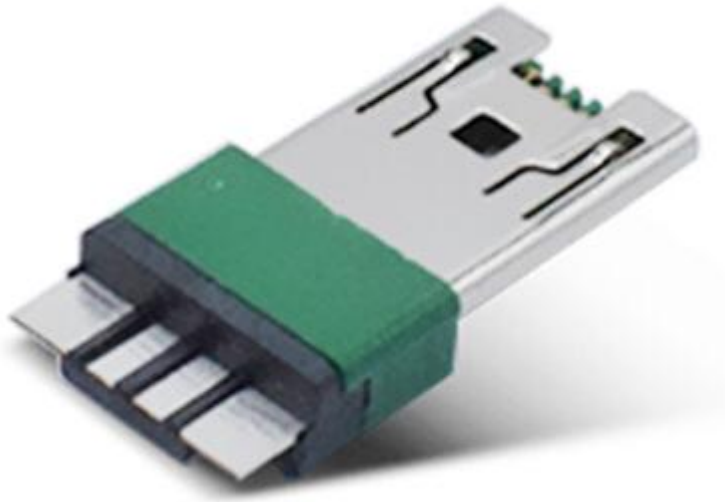
High Quality Usb Cable Connector All Types

HIGH QUALITY





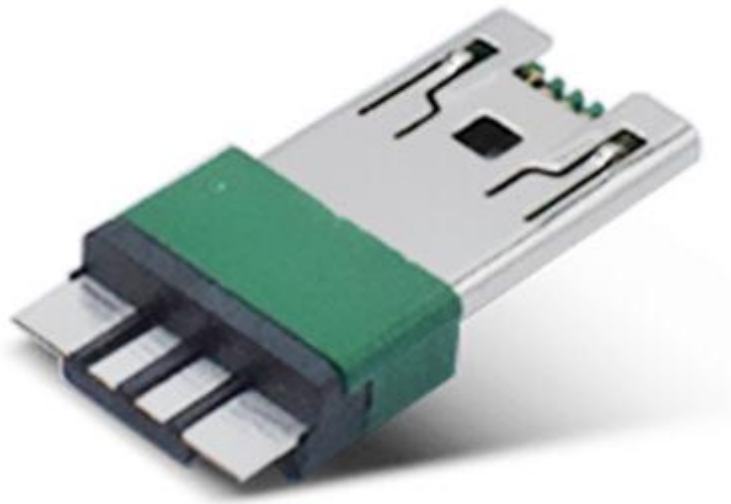
Model:- Yukti 252



**7 Pin 30W Vooc Non Vooc 12W Oppo Micro Male Connector 5Amp Super Fast Charge Socket
For Oppo Phone Cable**

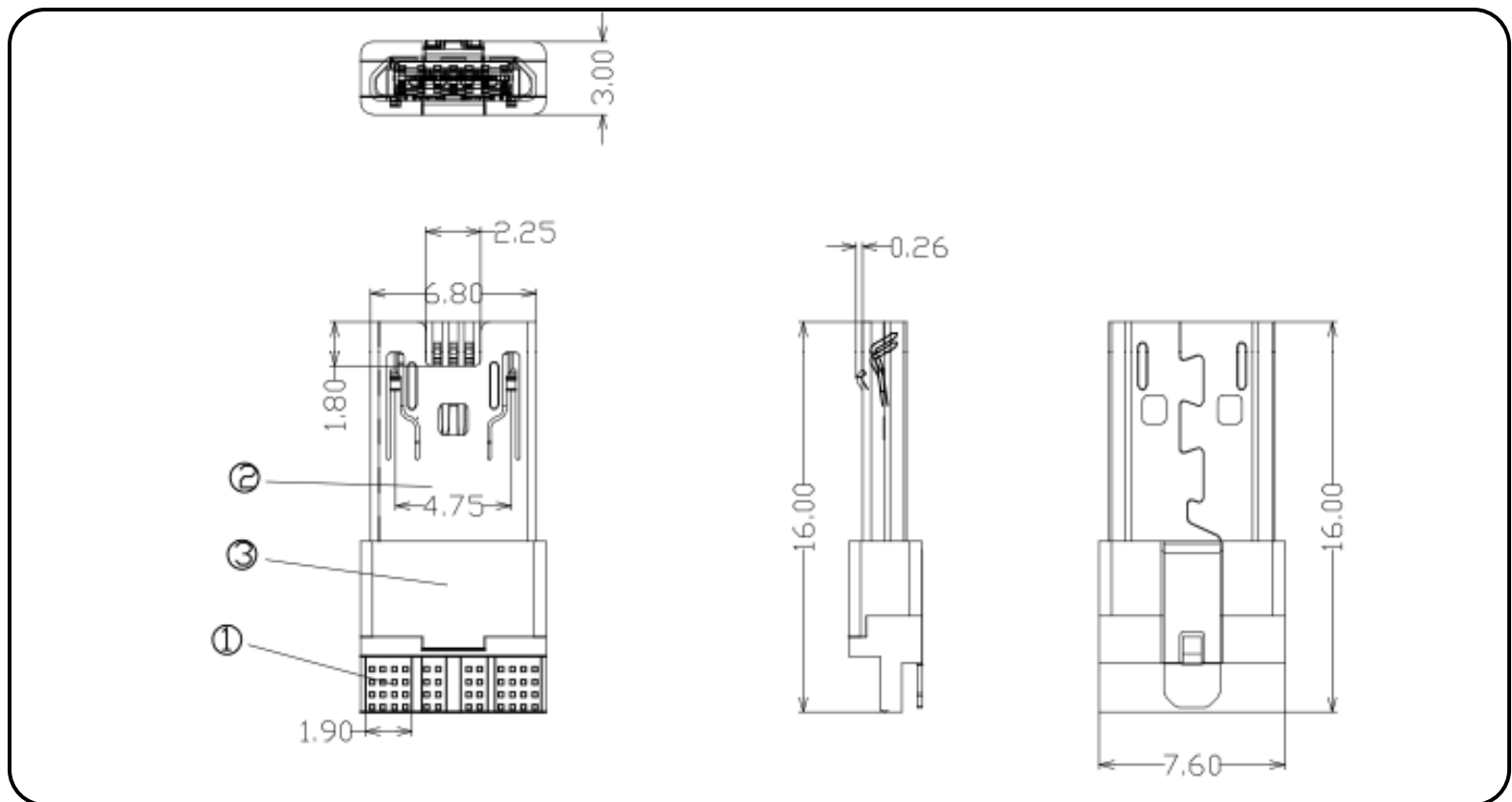
Connector Type	Oppo Micro Male Connector	Operating Temperature	-20°C To + 85°C
Type	Solder Type	Contact	Copper With Golden Plated
Gender Of Connector	7 Pin Solder Male	Shielding	Stainless Steel ,301hook
Contact Resistance	30mΩ Max	Voltage Rating	30v Dc
Insulation Resistance	1000mΩ Min	Insertion Force	3.57kgf MAX.
Rated Current	3-5a	Durability	5000-10000 Cycles
Color	Green Color	Size	4*2.3*1.9cm
Usage	USB Cable solder	Case material	spcc
Warranty	1 Year	Shipping	All India Free
Price With 18% Gst Per Set		Minimum Order	100k

Price With 18% Gst	Per Set Price With 18% Gst	Minimum Order	Available	Shipping Time
566400 Rs	5.664 Rs	100000 Set	Yes	25 Days
342200 Rs	6.844 Rs	50000 Set	Yes	25 Days
78440 Rs	7.844 Rs	10000 Set	No	4 Days



Model:- Yukti 252

7pin Oppo Micro Male Connector 5A 30W Vooc Non Vooc 12w Super Fast Charge Socket For Oppo Phone Cable Drawing File



Model:- Yukti 253

**VOOC Usb A 2.0 Connector 5A 65W Fast
Charge Socket With Chip For Oppo VOOC
Phone Cable**



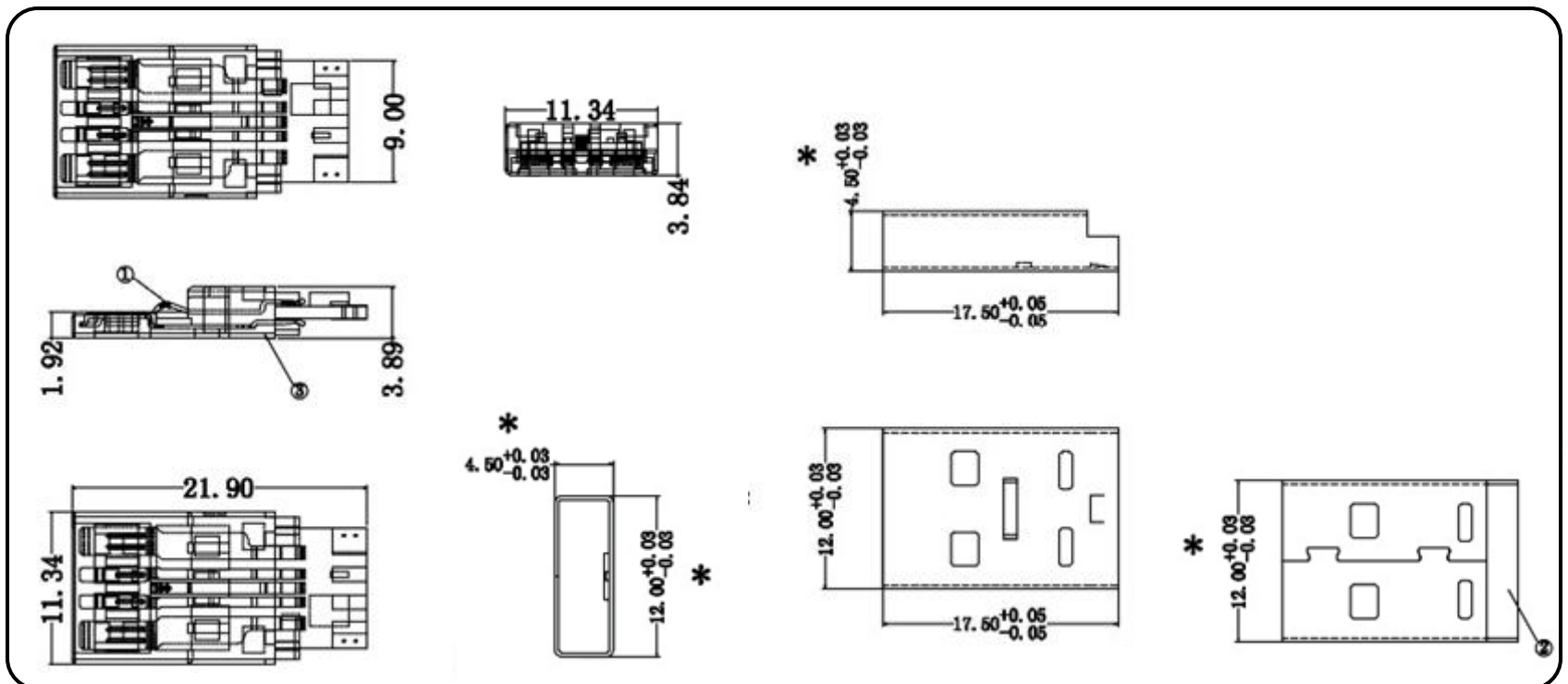
Connector Type	Oppo Usb A 2.0 Male Connector	Operating Temperature	-20°C To + 85°C
Type	Solder Type	Contact	Copper With Golden Plated
Gender Of Connector	6 Pin Solder Male	Shielding	Stainless Steel ,301hook
Contact Resistance	30mΩ Max	Voltage Rating	30v Dc
Insulation Resistance	1000mΩ Min	Insertion Force	3.57kgf MAX.
Rated Current	3-5a	Durability	5000-10000 Cycles
Color	Green Color	Size	4*2.3*1.9cm
Usage	USB Cable Solder	Case Material	Spcc
Warranty	1 Year	Shipping	All India Free

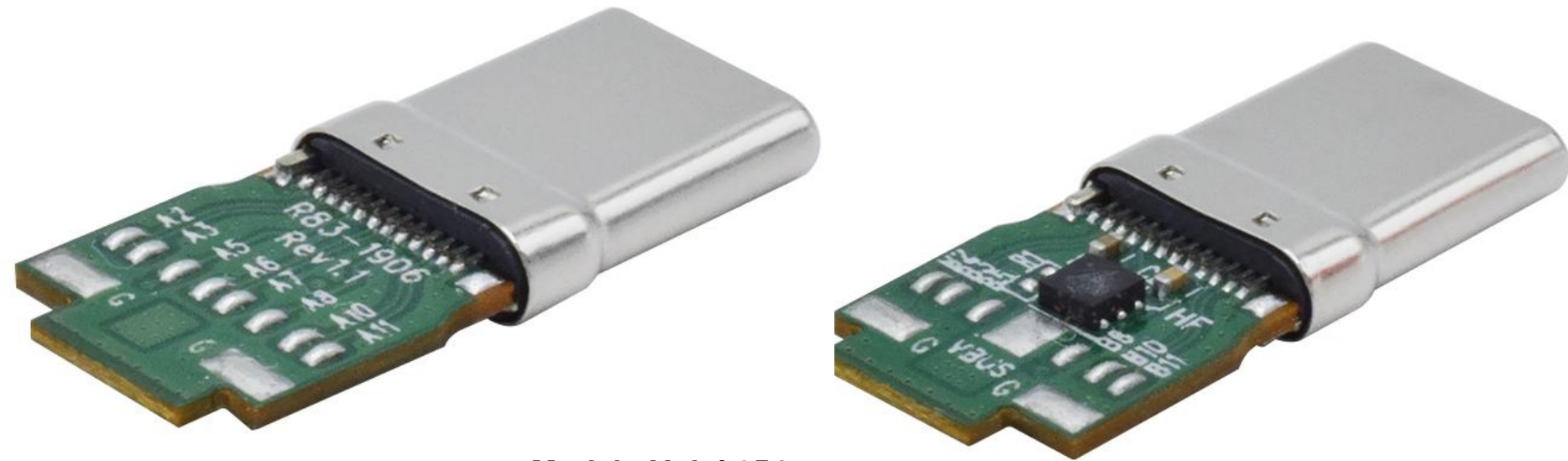
Price With 18% Gst	Per Set Price With 18% Gst	Minimum Order	Available	Shipping Time
1604800 Rs	16.048 Rs	100000 Set	Yes	25 Days
852400 Rs	17.048 Rs	50000 Set	Yes	25 Days
190480 Rs	19.048 Rs	10000 Set	No	4 Days



Model:- Yukti 253

VOOC Usb A Connector 5A 65W Fast Charge Socket With Chip For Oppo VOOC Phone Cable
Drawing File



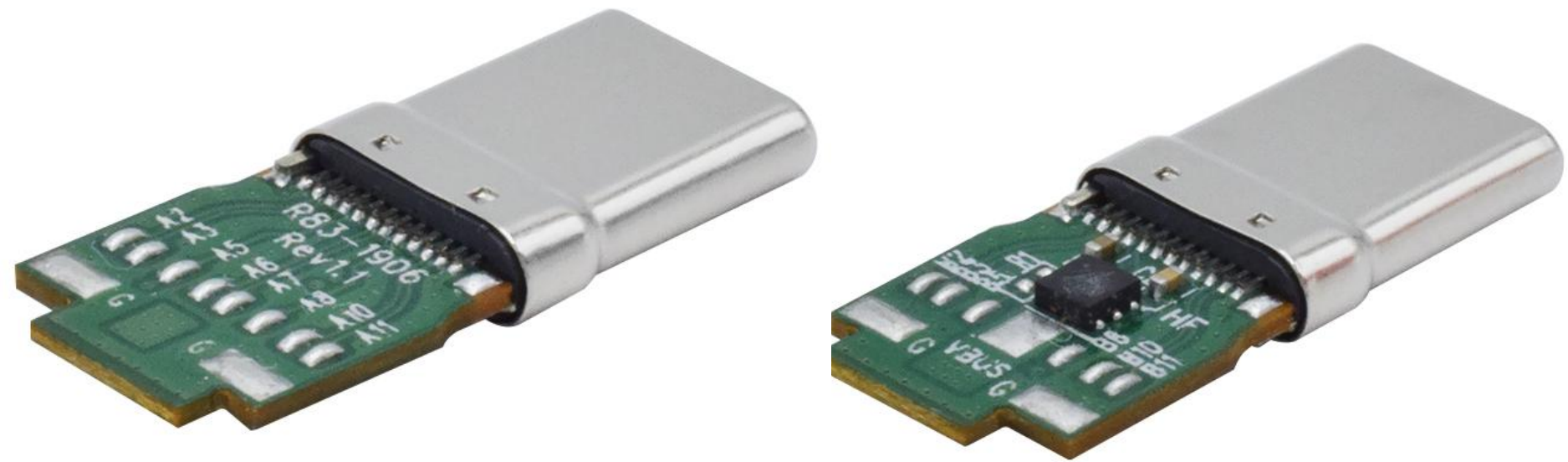


Model:- Yukti 254

65W For Vooc 20W Non Vooc USB C Type Connector Male 60hz Jack Solder For Super Charger USB Cable

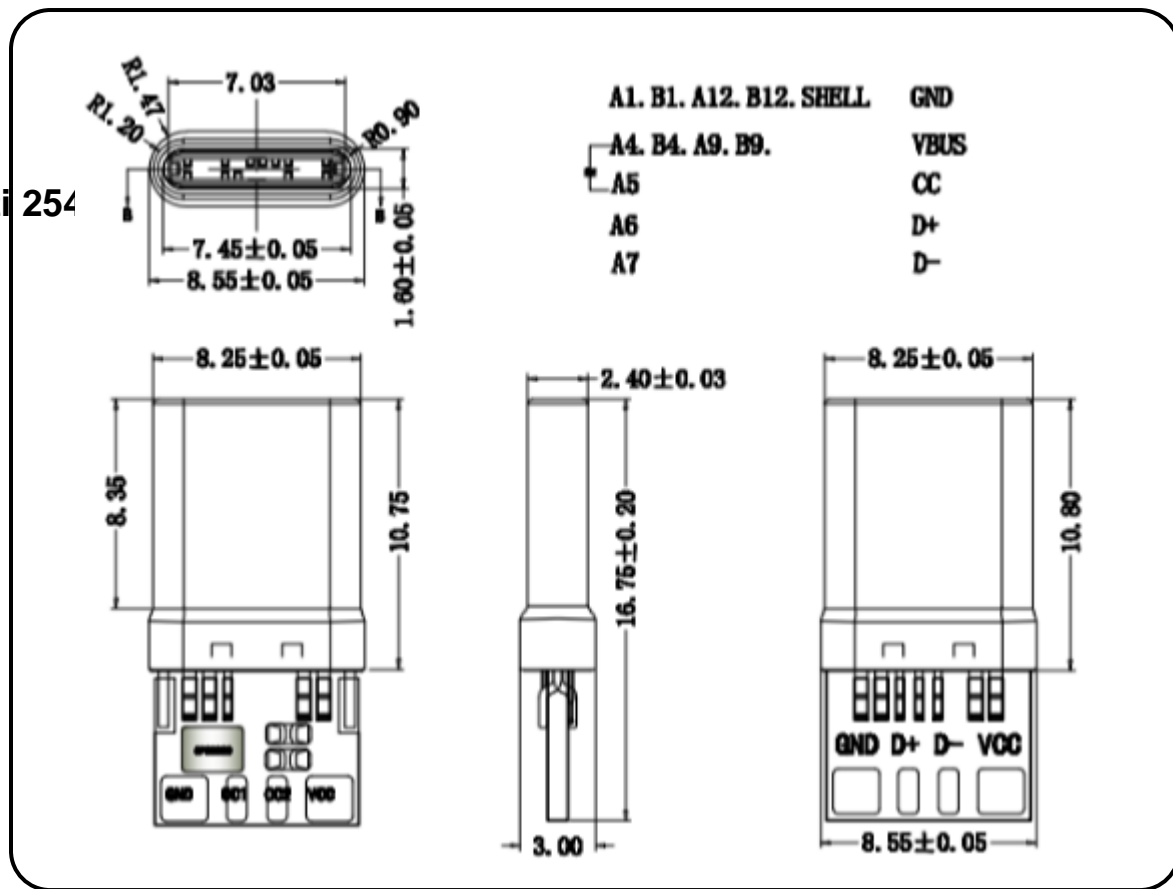
Connector Type	USB C Male Connector	Operating Temperature	-20°C To + 85°C
Type	Solder Type	Contact	Copper With Golden Plated
Gender Of Connector	4 Pin Solder Male	Shielding	Stainless Steel
Contact Resistance	30mΩ Max	Voltage Rating	30v Dc
Insulation Resistance	1000mΩ Min	Insertion Force	3.57kgf MAX.
Rated Current	20v-5a	Durability	10000 Cycles
Color	Green Color	Size	3.89*2.6*1.5cm
Usage	USB Cable Solder	Case Material	Spcc
Warranty	1 Year	Shipping	All India Free

Price With 18% Gst	Per Set Price With 18% Gst	Minimum Order	Available	Shipping Time
5000000 Rs	50 Rs	100000 Set	Yes	25 Days
2650000 Rs	53 Rs	50000 Set	Yes	25 Days
580000 Rs	58 Rs	10000 Set	No	4 Days

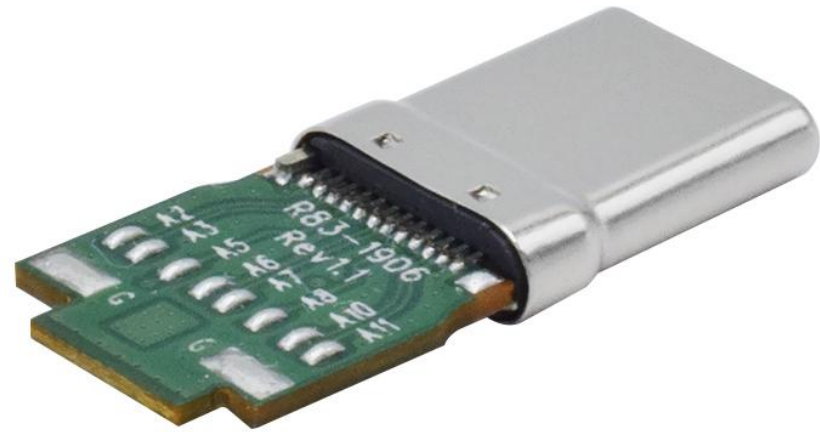


65W Vooc Non Vooc 20W USB C Type Connector Male 60hz E-mark Chip Jack Solder For Super Charger USB Cable Drawing File

Model:- Yukti 254



Finished Cable



Model:- Yukti 253 + Model:- Yukti 254



5A 65w Vooc Fast Charging Plus Data Transmission Type C Usb Cable

For OPPO

Type-C Flash Charge

65W

5A



Finished Cable



Model:- Yukti 252 + Model:- Yukti 254



5A Or 3A 30W Fast Charging Plus Data
Transmission Type Micro Usb Cable



V00C Fast Charge
5V4A

SUPERV00C 30W

V00C
FLASH CHARGE



3A
Charging Current



V00C
5V 4A 20W Fast Charge
OPPO Micro USB

V00C
99%

25cm/0.8ft
100cm/3.3ft
150cm/5.0ft
200cm/6.6ft

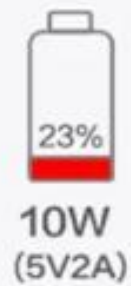
Intelligent Charging Protection

Built-in smart chip to identify charging equipment to prevent current overload





Phone charging 30 minutes contrast (Mate 20 Pro)



* The phone needs to support 40W fast charging technology and use with 5A charging cable.



Data transmission

Charging at the same time

Suitable for all Type-C interface devices

Charging and Transmission Combo

READ PLEASE



Model:- Yukti 255



24Pin 15W 3A Type C USB C Male Connector
Usb Connector For QC Charger Cable

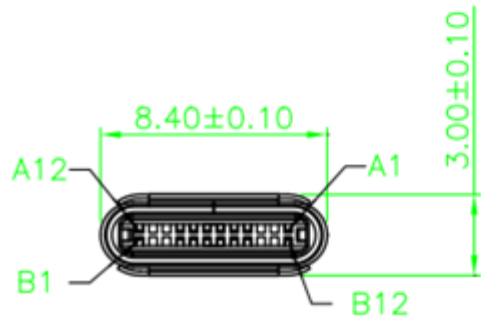
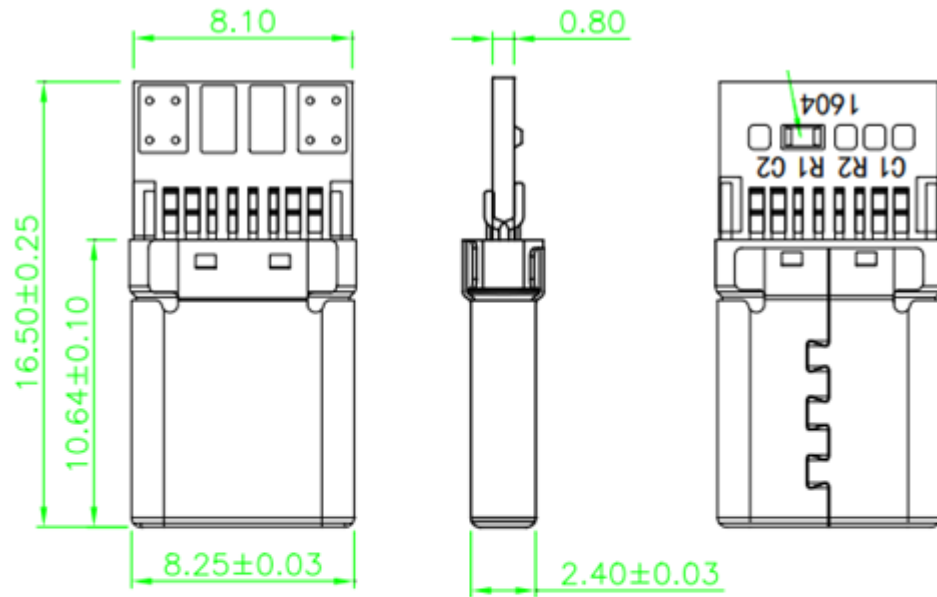
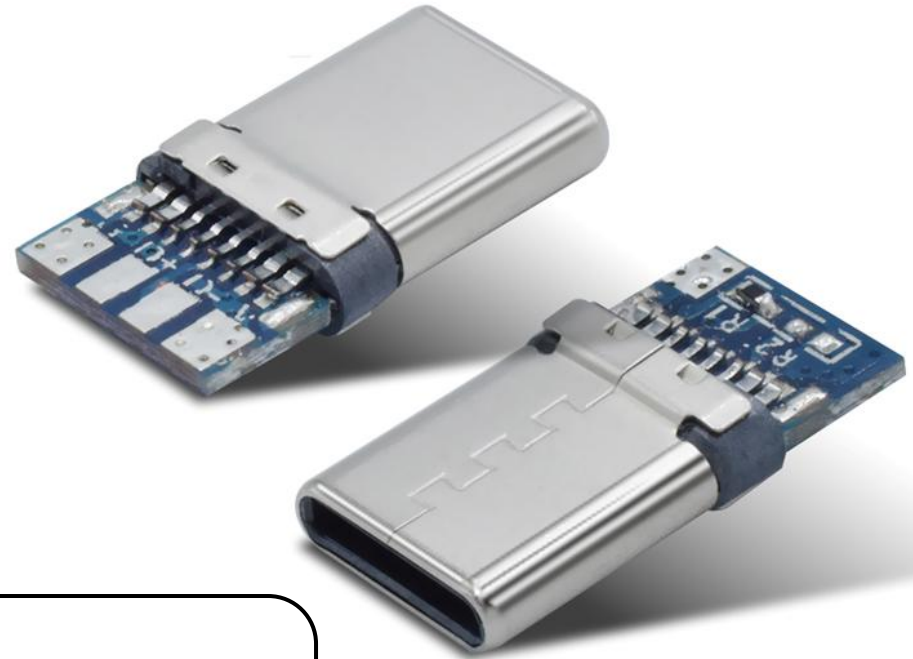
Connector Type	USB C Male Connector 15W	Operating Temperature	-20°C To + 85°C
Type	Solder Type	Contact	Copper With Golden Plated
Gender Of Connector	4 Pin Solder Male	Shielding	Stainless Steel
Contact Resistance	30mΩ Max	Voltage Rating	30v Dc
Insulation Resistance	1000mΩ Min	Insertion Force	3.57kgf MAX.
Rated Current	2-3 A	Durability	5000 Cycles
Color	Blue	Size	1.65*0.81*0.24cm
Usage	USB Cable Solder	Case Material	Spcc
Warranty	1 Year	Shipping	All India Free

Price With 18% Gst	Per Set Price With 18% Gst	Minimum Order	Available	Shipping Time
690000 Rs	6.9 Rs	100000 Set	Yes	25 Days
395000 Rs	7.9 Rs	50000 Set	Yes	25 Days
99000 Rs	9.9 Rs	10000 Set	No	4 Days

Model:- Yukti 255

24pin 16pin 15W Type C USB C Male Connector

Usb Connector For QC Charger Cable



PIN A1、A12、B1、B12、SHELL	GND
PIN A4、A9、B4、B9	VCC
PIN A5	
PIN A6	D+
PIN A7	D-
R1=56K ±10% 预留R2 C1 C2	

Model:- Yukti 256



**3-5A 18W Fast Charging USB 4P Solder A Type Male
Connector PBT For USB Cable**

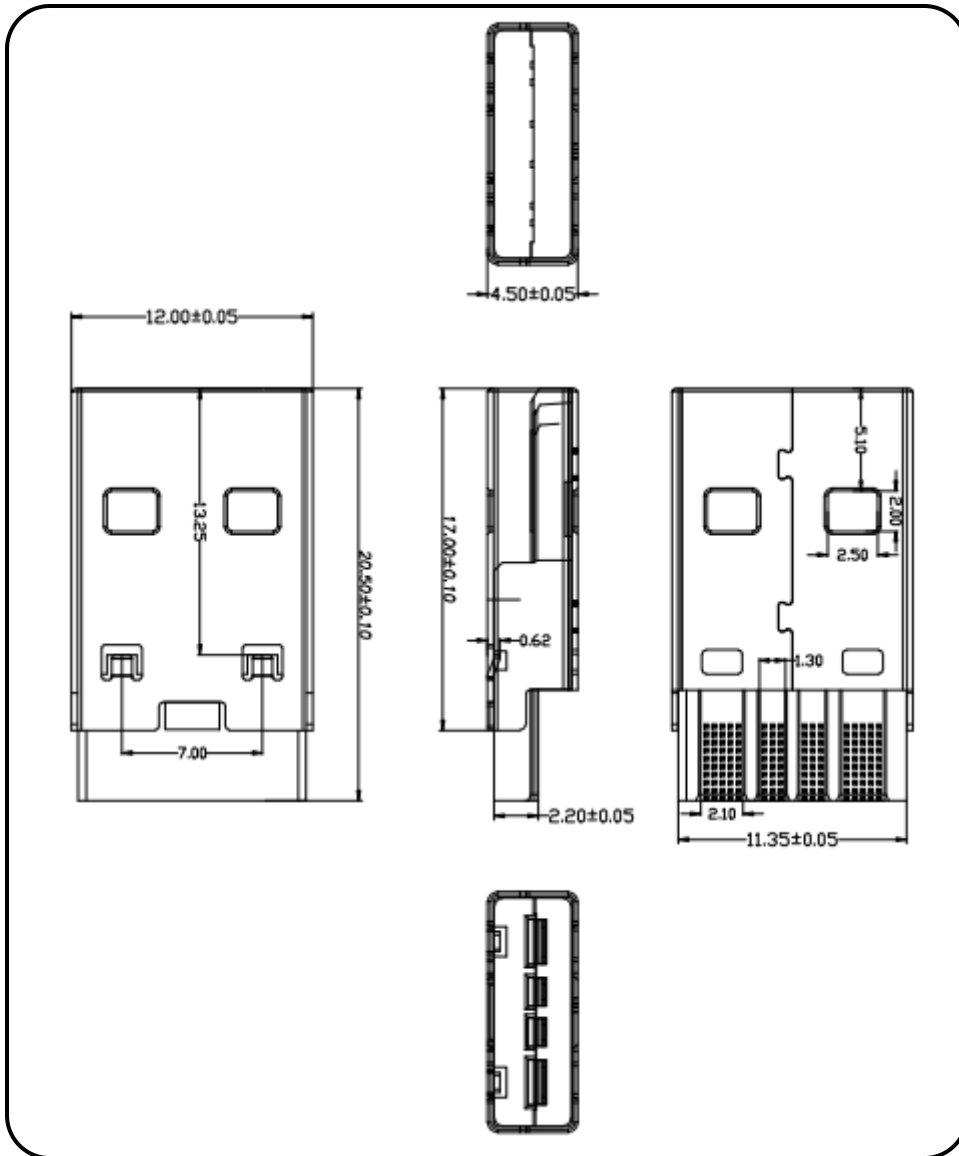
Connector Type	USB A Male Connector 18W	Operating Temperature	-20°C To + 85°C
Type	Solder Type	Contact	Copper With Golden Plated
Gender Of Connector	4 Pin Solder Male	Shielding	Stainless Steel
Contact Resistance	30mΩ Max	Voltage Rating	30v Dc
Insulation Resistance	1000mΩ Min	Insertion Force	3.57kgf MAX.
Rated Current	3-5A	Durability	5000-10000 Cycles
Color	Blue	Size	3.6*2.3*1.9cm
Usage	USB Cable Solder	Case Material	Iron
Warranty	1 Year	Shipping	All India Free

Price With 18% Gst	Per Set Price With 18% Gst	Minimum Order	Available	Shipping Time
590000 Rs	5.9 Rs	100000 Set	Yes	25 Days
345000 Rs	6.9 Rs	50000 Set	Yes	25 Days
89000 Rs	8.9 Rs	10000 Set	No	4 Days



Model:- Yukti 256

**3-5A 18W Fast Charging Usb 4p Solder A Type
Male Connector Pbt For Usb Cable Drawing File**



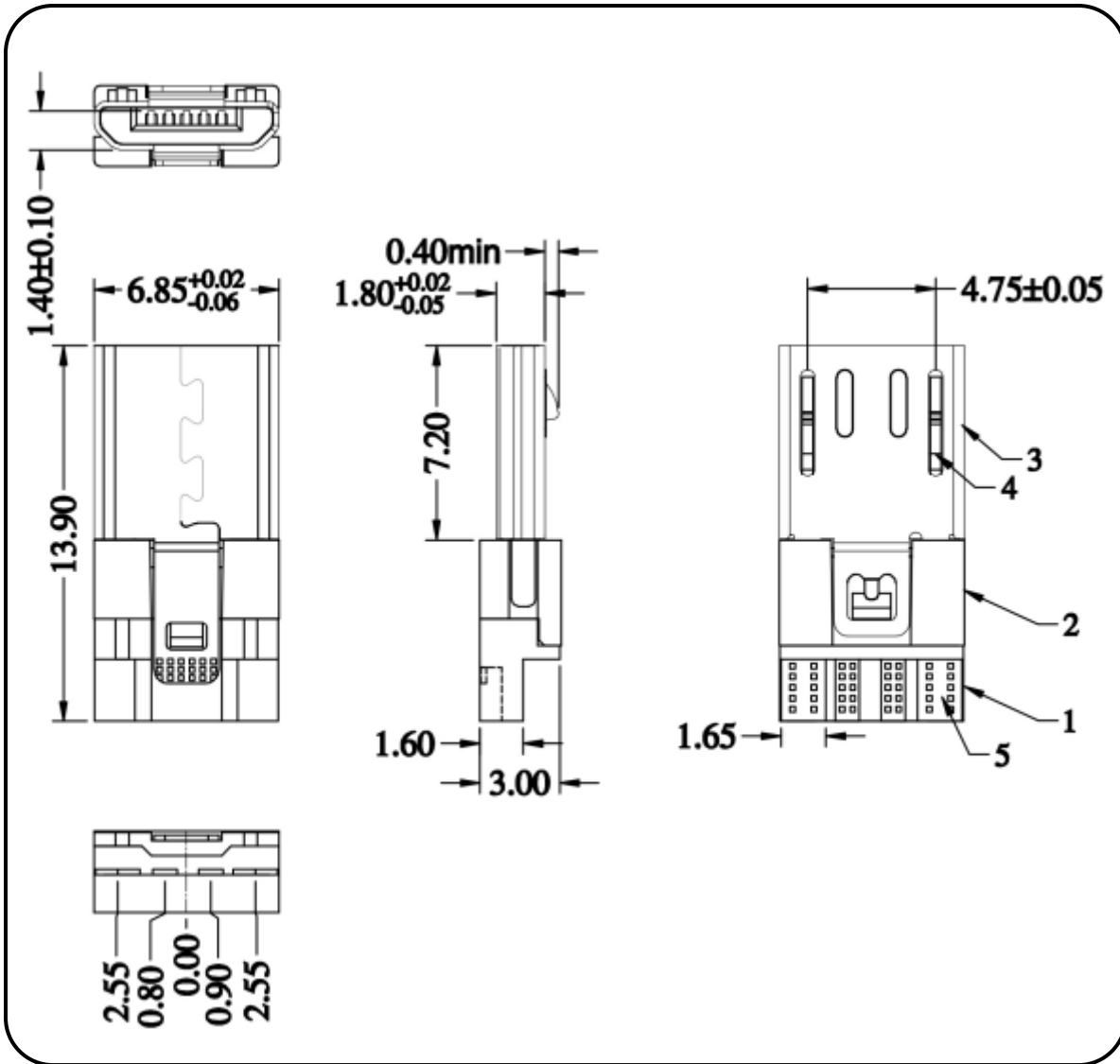
Model:- Yukti 257



**2.5A V8 Double Lock 5pin 12W Micro USB Connector 4P
For Usb Cable**

Connector Type	Micro v8 Male Connector 12W	Operating Temperature	-20°C To + 85°C
Type	Solder Type	Contact	Copper With Golden Plated
Gender Of Connector	4 Pin Solder Male	Shielding	Stainless Steel 301 hook
Contact Resistance	30mΩ Max	Voltage Rating	30v Dc
Insulation Resistance	1000mΩ Min	Insertion Force	3.57kgf MAX.
Rated Current	2-2.5A	Durability	5000-10000 Cycles
Color	Black And White	Size	3.98*2.3*1.9cm
Usage	USB Cable Solder	Case Material	Spcc
Warranty	1 Year	Shipping	All India Free

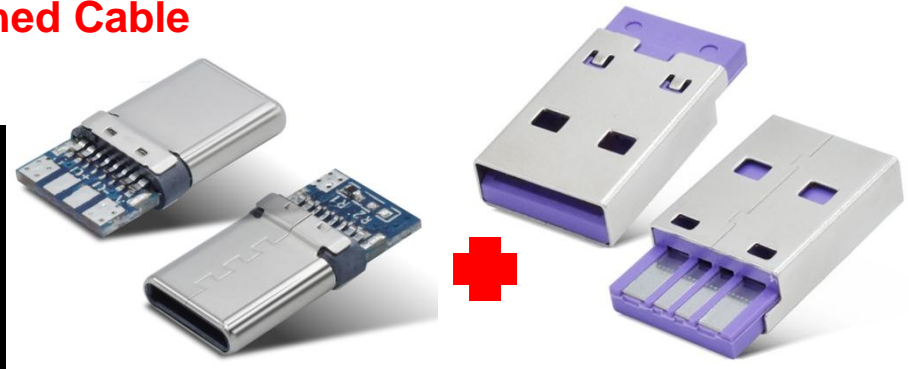
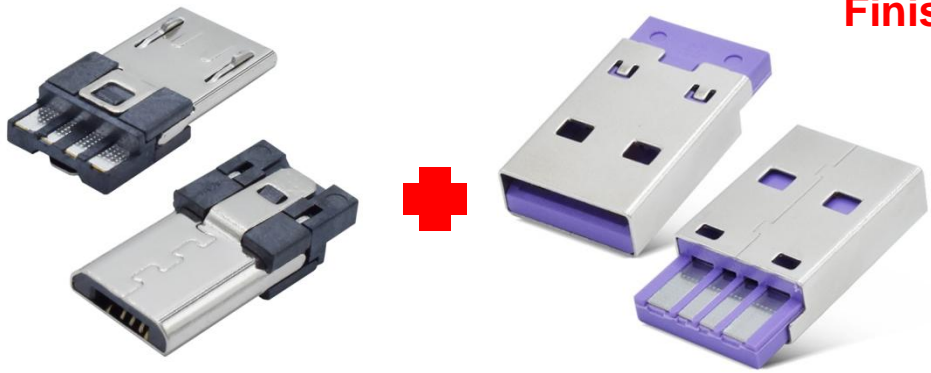
Price With 18% Gst	Per Set Price With 18% Gst	Minimum Order	Available	Shipping Time
283200 Rs	2.9 Rs	100000 Set	Yes	25 Days
195000 Rs	3.9 Rs	50000 Set	Yes	25 Days
59000 Rs	5.9 Rs	10000 Set	No	4 Days



Model:- Yukti 257

**2.5A V8 Double Lock 5pin 12W
Micro USB Connector 4P For Usb
Cable Drawing File**

Finished Cable



Model:- Yukti 257 + Model:- Yukti 256

Model:- Yukti 255 + Model:- Yukti 256



**3A 2.4A 12W Fast Charging Plus Data
Transmission Type Micro Usb Cable**

**3A 2.4A 15W Fast Charging Plus Data
Transmission Type C Usb Cable**

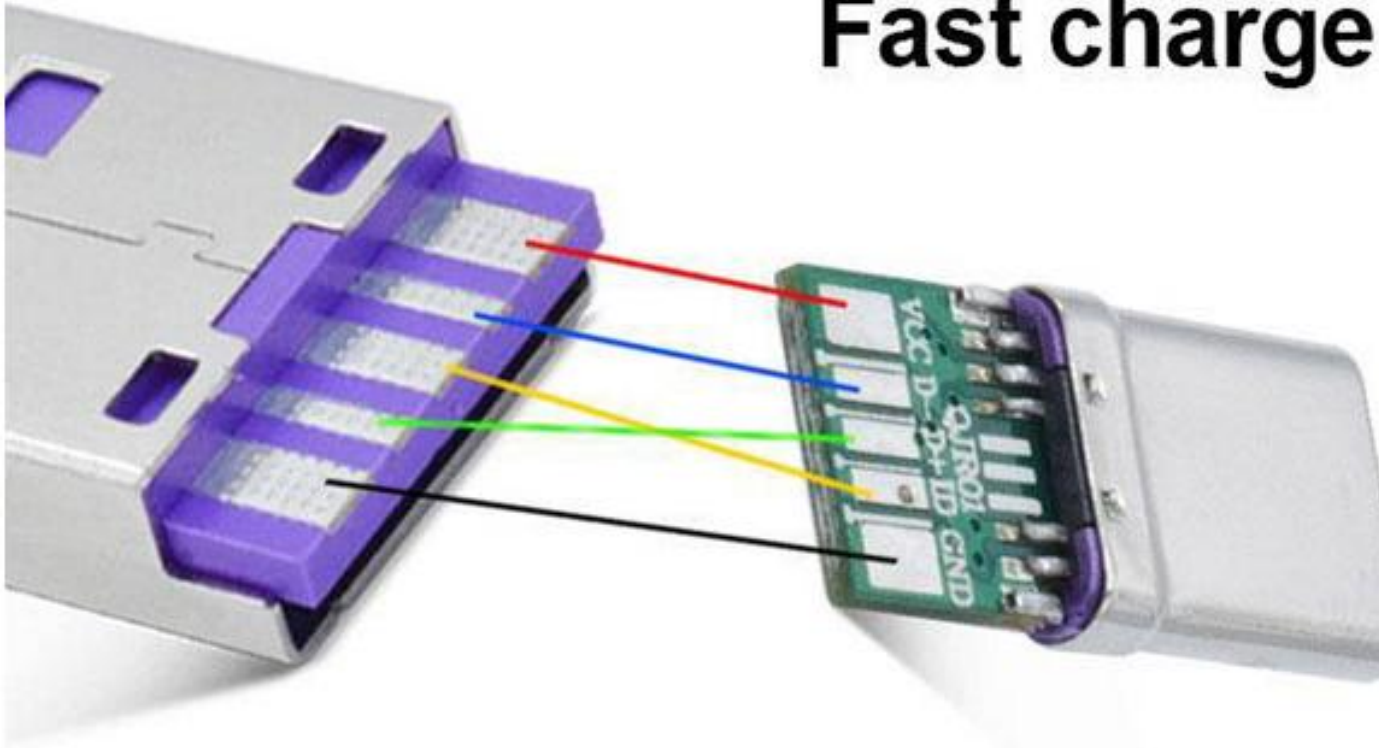


**2.4A
Micro USB**

**3.0A
Type-c**



65W Power Fast charge



Support:

Fast Charge for SamSung

Super Fast Charge for Huawei

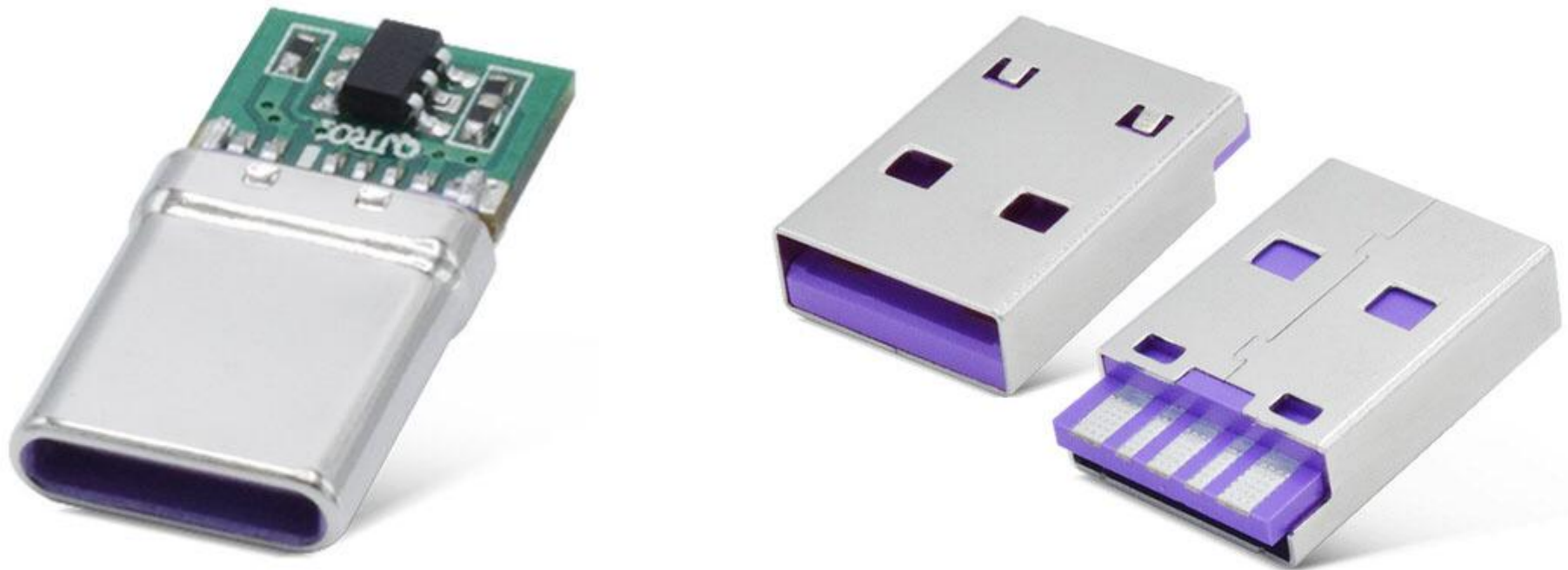
VOOC Charge for OPPO/VIVO/One Plus

Fast Charge for Xiaomi

QC Charge for Android

READ PLEASE





Model:- Yukti 258

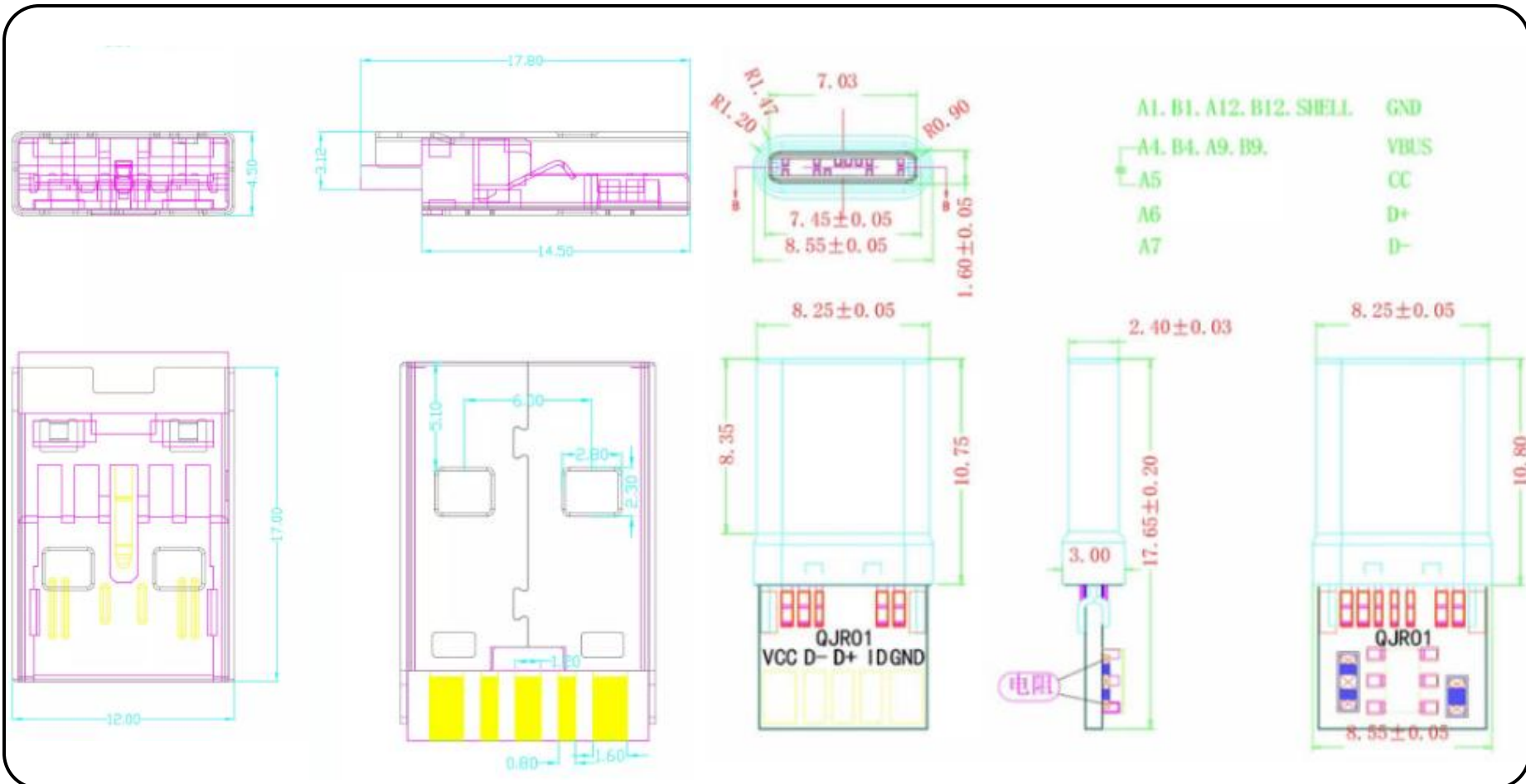
Super Charge 65W USB Type 3.1 Male Connector for Support All SamSung, OPPO, Vivo, Xiaomi, Android

Connector Type	USB Type 3.1 Type C Male 65W Set	Operating Temperature	-20°C To + 85°C
Type	Solder Type	Contact	Copper With Golden Plated
Gender Of Connector	4 Pin Solder Male	Shielding	Stainless Steel
Contact Resistance	30mΩ Max	Voltage Rating	30v Dc
Insulation Resistance	1000mΩ Min	Insertion Force	3.57kgf MAX.
Rated Current	5A	Durability	10000 Cycles
Color	Silver Color	Size	2.89*2.26*1.5cm
Usage	USB Cable Solder	Case Material	Iron
Warranty	1 Year	Shipping	All India Free
Price With 18% Gst Per Set		Minimum Order	100k



Model:- Yukti 258

Super Charge 65W USB Type 3.1 Male Connector For Support All Samsung, OPPO, Vivo, Xiaomi, Android Drawing File





Finished Cable



Model:- Yukti 258

**5A 65W Fast Charging Plus Data Transmission Type C Usb Cable For Support All
Samsung, OPPO, Vivo, Xiaomi, Android**



Oops!

**If What You Are Looking For Is Not Here Then Read The
Product Catalog Below Or Send Us On Whatsapp**



YUKTIRAJ PVT LTD

ISO Certified Indian Company

Why Us



Yuktiraj Pvt Ltd Is Will Continue With Technical Force, High Quality Product Performance, Reasonable Price, Thoughtful & Efficient Service. Our Company Stresses On The Experience Accumulation And Technology Research. 365 Days Full Support. Honest And Trustable Company. Responsive Staff. We Keep Trust On Quality And Customer Satisfactions. We are India's leading manufacture and import export company.

BUY NOW

Read More This Product Visit Below Link:-

<https://www.topsell.in/Port-micro-usb-type-c-pin-female-connector-port.php>

इस प्रॉडक्ट अधिक जानकारी के लीये नीचे के लिंक को विजिट करे

<https://www.topsell.in/Port-micro-usb-type-c-pin-female-connector-port.php>



YUKTIRAJ PVT LTD

ISO Certified Indian Company

SEND AN INQUIRY



*** Company Address ***

Yuktiraj Pvt. Ltd,

Raje Shambhaji Nagar Kinhi Road Bypass Karanja Lad

District: Washim State: Maharashtra Pin: 444105

Thank you always with you

Terms And Conditions :- <https://www.topsell.in/tc>



WhatsApp 9588688034

www.

www.topsell.in